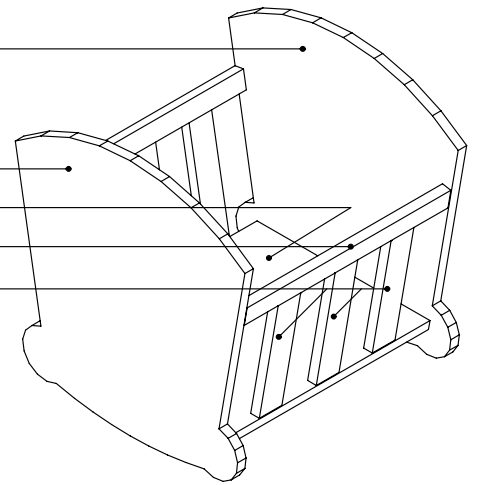


There are basically five different parts to the cradle:

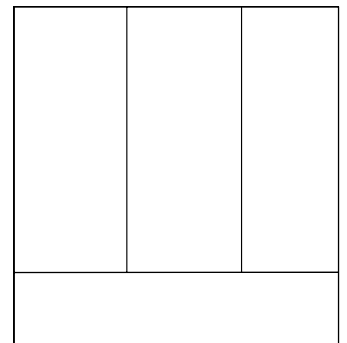
- 1) The Head _____
- 2) The Foot _____
- 3) The Bottom _____
- 4) The Rails and _____
- 5) The Stiles _____



In this project, the Head and the Foot are identical, so we will describe the process only once. The same holds true for the Rails and Stiles, there are multiples of each, but they are all exactly alike.

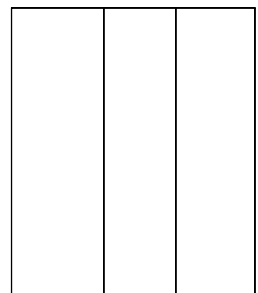
The first thing to do is glue up the blanks for the Head, Foot and Bottom. This is done by cutting boards to length and then gluing them along the edge and clamping them together until they dry.

Blank for Head and foot



For the Head and Foot you will need three boards at least 1'-4 3/8" long by 7" wide, these will be the vertical pieces. You will also need one piece 1'-7" by 4 3/8" for the horizontal .

Blank for Bottom



For the bottom you will need three boards 1'-6" long by 5 1/4" wide. These will be glued along the edges to form a blank that is 1'-3 3/4" wide by 1'-6" long.