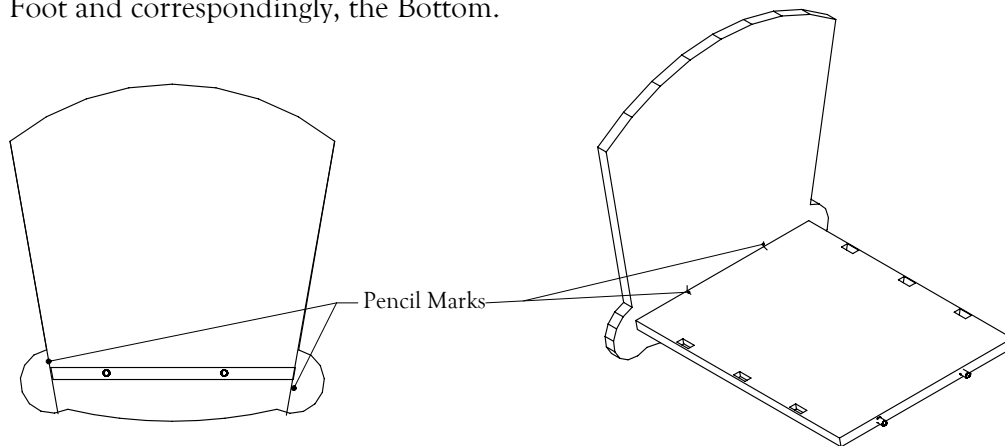
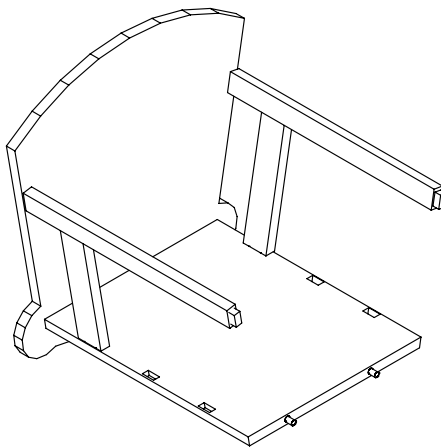


After mortising the bottom you will need to put two dowels in each end. The first thing to do is extrapolate the straight lines on the Head and Foot, to determine where the bottom attaches. When the proper place is found mark the Head the Foot and correspondingly, the Bottom.



You should now be able to dry fit the pieces to determine where the mortises go in the Head and Foot, to accept the tenons in the Rails.



Now it is time to glue everything together and clamp them so they are secure. Leave them for at least a couple of hours, and preferably overnight to cure. After the glue has been cured it is time to sand and then stain and finally to seal.

