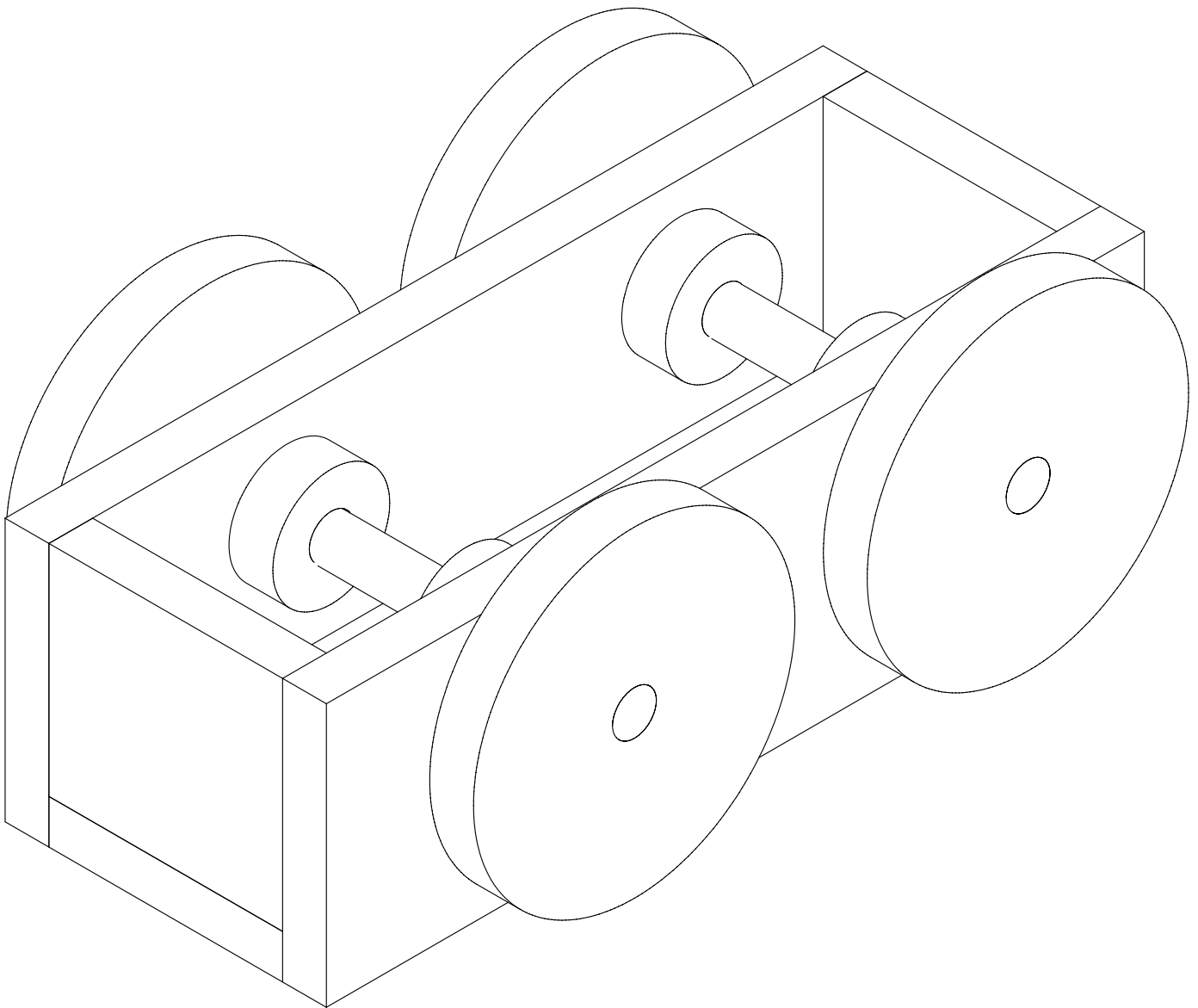


After the stack is secure, turn the train upside down. Glue one wheel onto the end of one of the axles, making sure the end of the axle is flush with the outside of the Wheel. Repeat with the other axle. Take on of the axles and slide it through one of the holes in the box, before going through the opposite hole, slip two of the 2" stops onto the axle then through the opposite hole. Then glue the other wheel on. While these are drying slide the stops out, center the Wheel assemblies on the box and land the stops approximately 1/8" in from the side. Mark these positions with a pencil. Move the stops back toward the center. Put glue where the stops are supposed to live. slide the stops back into their proper positions and let every thing dry up over night.



You are now ready to sand, stain, if you so desire, and polyurethane.