

figure 1

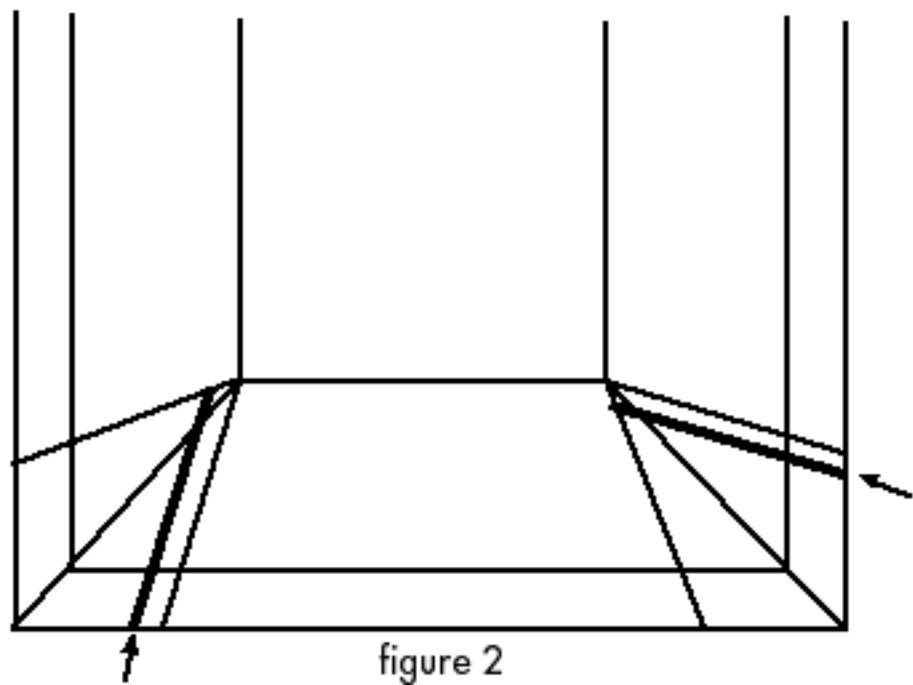
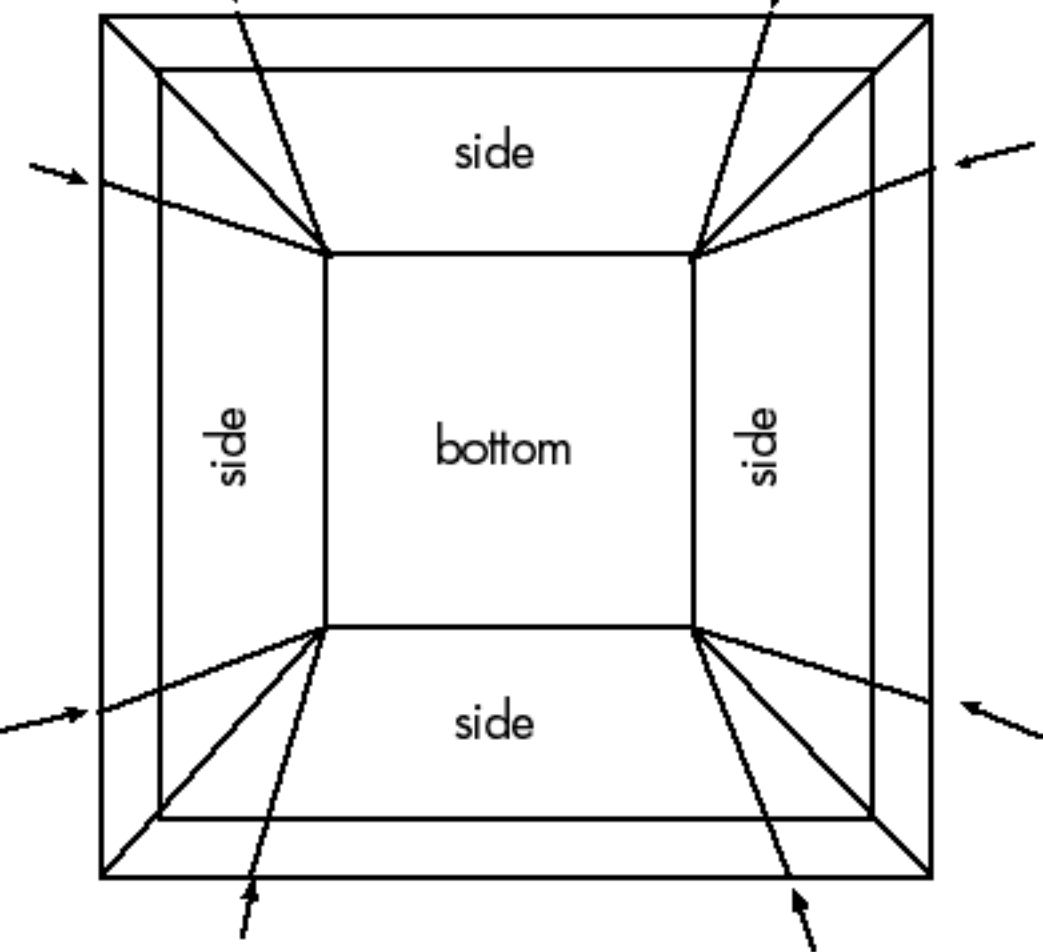


figure 2