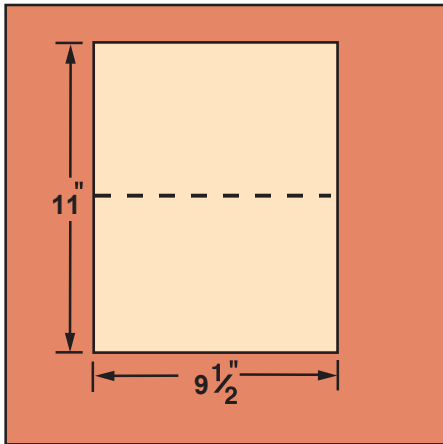
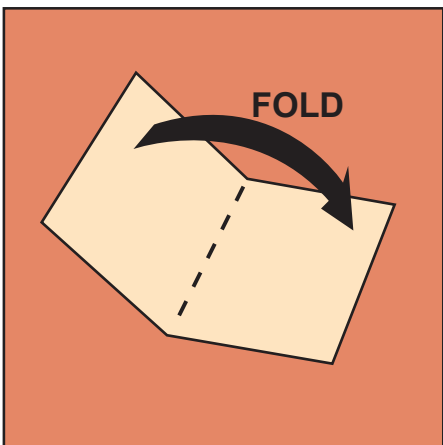


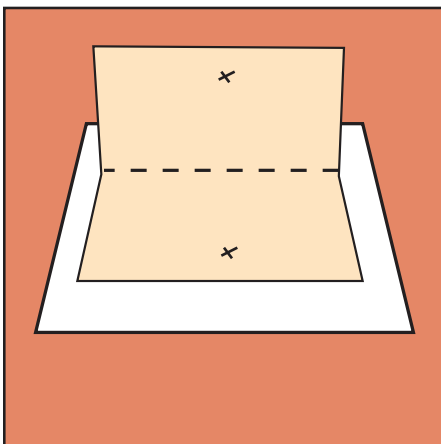
Accordion Pop-Up Page



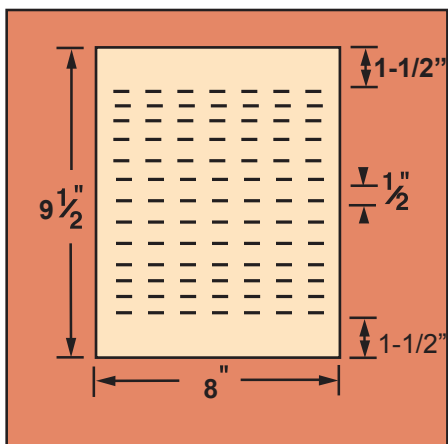
1. Cut a sheet of card stock measuring 11" x 9-1/2".



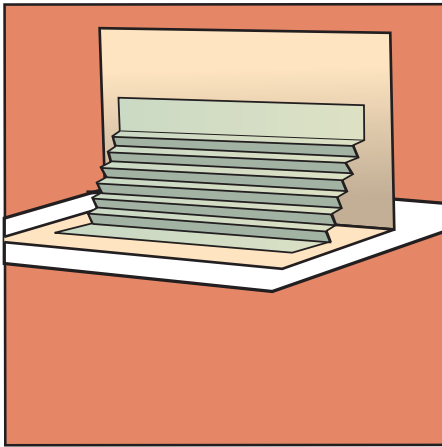
2. Fold in half to form a card.



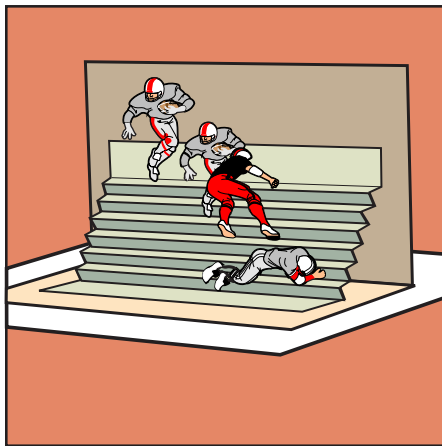
3. Mount the back side of the card to a scrapbook page. Measure and make a centered one-inch mark from both the top and bottom edge of the card.



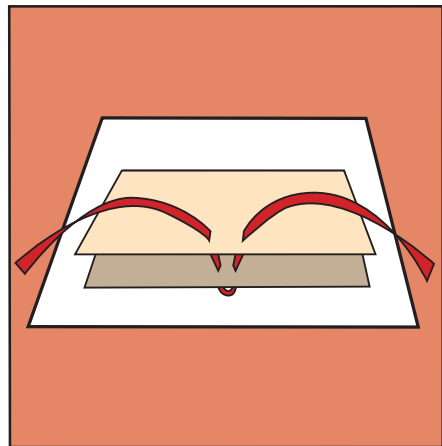
4. Cut a second piece of card stock measuring 9-1/2" x 8". Accordion-fold and heavily score this piece, starting with a 1-1/2-inch valley fold, then fold every 1/2 inch afterward until you have six mountain folds and seven valley folds. This should leave another 1-1/2 inches free on the other end.



5. Scrunch the folded and scored card stock together and adhere one of the 1-1/2-inch ends at the center mark on the bottom, mounted side of the card. Keeping the accordion scrunched together, fold the card over onto it and adhere the free 1-1/2-inch end at the one-inch mark on the top side of the card.

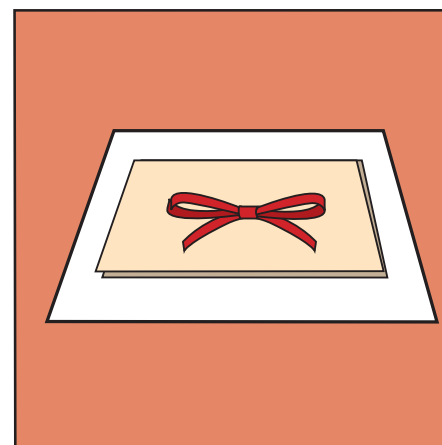


6. Make cutouts from several action photos and adhere to the “steps” formed by the scored card stock.



7. To make the closure, use a hole punch to make two matching holes in the front and back of the card--four holes total. Lace a 20-inch length of ribbon up from the back of the card to the front.

When closing the card, scrunch the accordion together first, gradually folding the card together.



8. Tie the ribbon ends together to close.