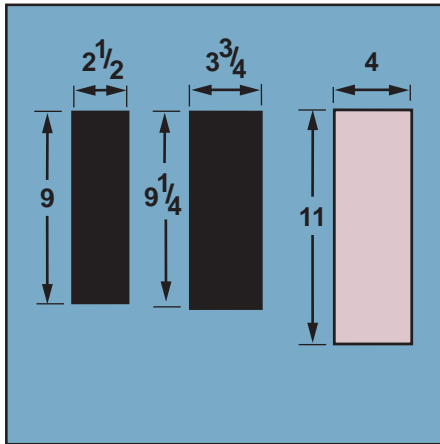
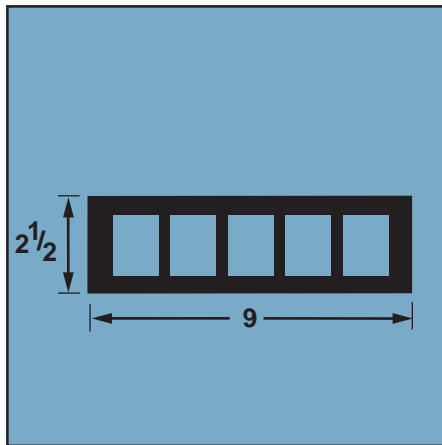


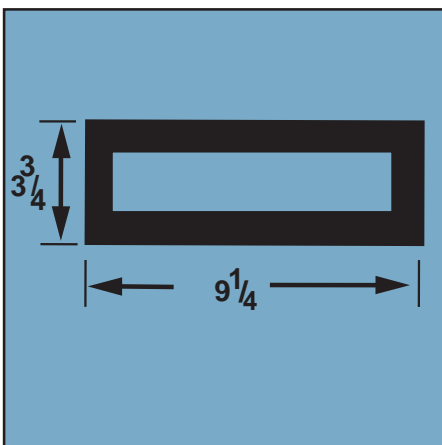
## Slide Tab Reveal Page



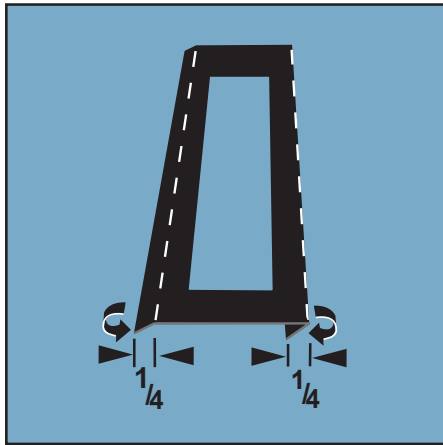
1. Cut one  $2\frac{1}{2}$ " x 9" strip of black card stock, one  $3\frac{3}{4}$ " x  $9\frac{1}{4}$ " strip of black card stock and one 4" x 11" strip of complementary colored paper.



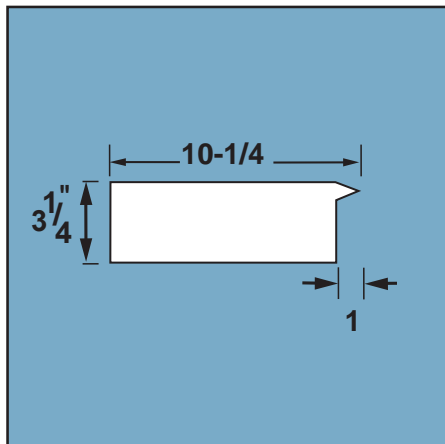
2. Using a ruler and pencil, draw five evenly spaced  $1\frac{1}{4}$ " x  $1\frac{1}{2}$ " rectangles along the  $2\frac{1}{2}$ " x 9" strip of card stock. Use a craft knife to cut out these five rectangles. This strip will be used to "mat" five photos. Set it aside. Note: If you wish to mat fewer or smaller photos, adjust the rectangular cutouts accordingly.



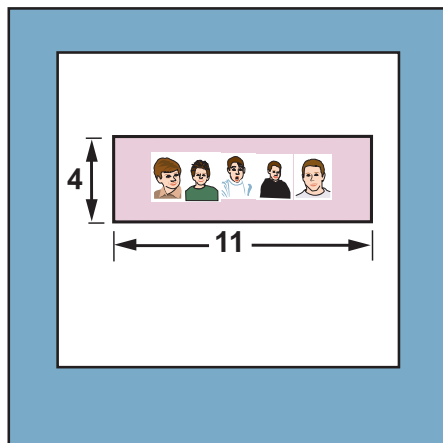
3. Working with the  $3\frac{3}{4}$ " x  $9\frac{1}{4}$ " strip of card stock, cut out a centered opening measuring  $2\frac{1}{4}$ " x  $8\frac{3}{4}$ ", leaving a  $\frac{3}{4}$ -inch border at the top and bottom of the strip and a  $\frac{1}{2}$ -inch border along the sides. If you made adjustments for fewer or smaller photographs in step 2, adjust this step accordingly.



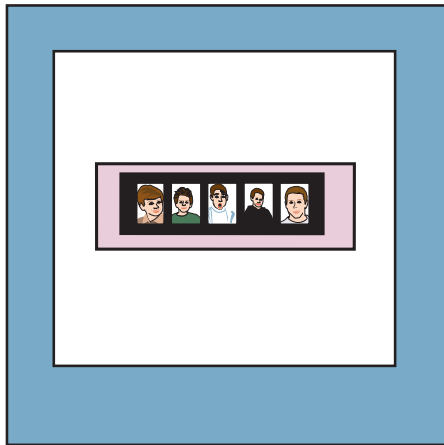
4. Score, then fold, the top and bottom of the 3-3/4" x 9-1/4" strip back 1/4 inch. This will be used to frame the photo mat strip made in step 2.



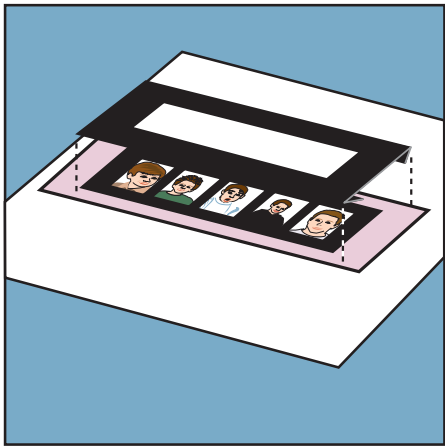
5. Cut a third strip of card stock (we used white) measuring 3-1/4" x 10-1/4". This strip will be the slide-reveal tab. To test it, slide it into the open frame with the folds, using the frame folds to hold the strip in place. The strip will be an inch longer than the frame. Cut away the excess, leaving an arrow-shaped inch at the top that shows the direction to pull the slide-tab.



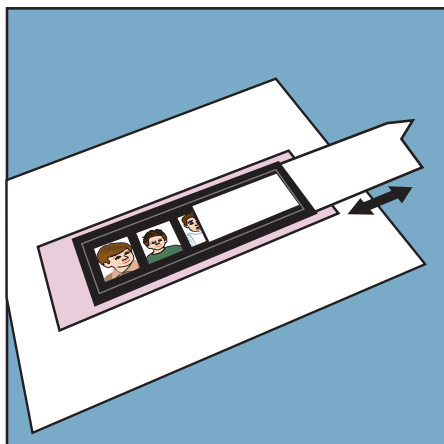
6. Mount the 4" x 11" colored strip of paper onto the scrapbook page as desired. Cut, position and adhere five photos onto the strip using the five-image mat cut in step 2 to help with placement.



**7. Position the mat over the photos.**



**8. Center and mount the frame around the mat, adhering only the folded edges to the background paper. It's easier to do this without the tab reveal in place, so take it out, then slide it back into the folds once all the nonmoving parts have been adhered.**



**9. Pull the tab at the arrow to reveal the pictures.**

**Note: If you're feeling industrious, an 11-1/4" x 11-3/4" page can hold three of these, but you'll need to adjust the background strip. You can forgo it altogether or use one larger background sheet for all three slides.**