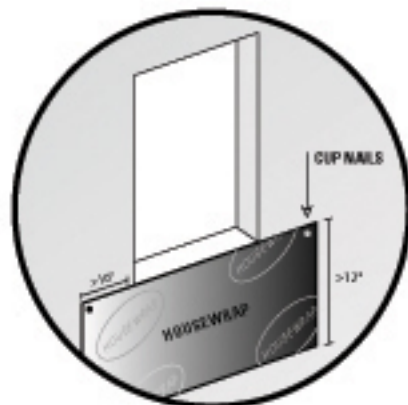


## STEP 1 - IF HOUSEWRAP HAS **Not** BEEN INSTALLED



- Apply at least a 12" flap, or apron, of building paper or housewrap just below the windows sill.
- If the window sill is close to the sill plate, the apron can extend all the way to the sill plate.
- The apron should extend at least 10" past the sides of the window opening, or to the first stud in open wall construction.
- Attach only the apron's top edge with cup nails.

## STEP 2 - SILL FLASHING



- Install self-adhesive flashing to the sill, ensuring that flashing extends up jambs at least 6".
- One commercial product comes with two removable strips over the adhesive. Remove the first strip to expose half the adhesive and apply this area to the sill. Begin pressing in the middle of the sill and work towards the sides. Remove the second strip to expose the adhesive that will be used to apply the flashing below the window to the outside wall.
- Tape down the bottom corners of the flashing

## STEP 1 - IF HOUSEWRAP HAS BEEN INSTALLED



- Cut the housewrap covering the rough opening in the shape of a modified "Y".
- Fold the side and bottom flaps into the window opening and secure.
- Above the window opening, cut a head flap and flip up to expose sheathing, and loosely tape in place out of the way.

## STEP 3 - JAMB CAULKING



- Caulk the outside edges of the head and side jambs
- Do not caulk across the sill
- Install the window using corrosion resistant nails and following manufacturer's specifications.